

8CH(2T) MR9708E-B1 DVR



Features:

- Single chip design
- Support O&M debugging
- H.265 encoding, high compression ratio
- Support 8CH 1080P/720P AHD
- AHD/TVI/CVI/IPC/ Analog video inputs
- Built-in G-sensor, monitoring of vehicle driving behavior
- Support reversing image ranging assistance
- Support image horizontal and vertical mirror adjustment
- Unique GPS drift suppression algorithm
- Input pulse automatic calibration algorithm
- Support debugging and maintenance of Yunweibao

Power supply:

- Professional vehicle power supply 9-36V DC wide voltage
- Low voltage, short circuit, reverse connection and other protection
- Support intelligent power management identification, low power automatic shutdown, flameout low power consumption

Data storage:

- Built-in super capacitor prevents data loss and disk damage
- A special file management adopted to encrypt data to effectively protect data security
- Support for 2.5-inch hard drives, up to 2TB
- Support hard drives & SD card storage

Wireless module:

- Built-in GPS/BD/GLONASS module, high sensitivity, fast positioning
- Built-in 4G module, support LTE/HSPA/WCDMA
- WIFI module (optional), frequency 2.4GHz

Intense driving assistance

- Support speedup, slowdown, sharp turn alarm and upload platform
- Support rollover, collision alarm and upload platform

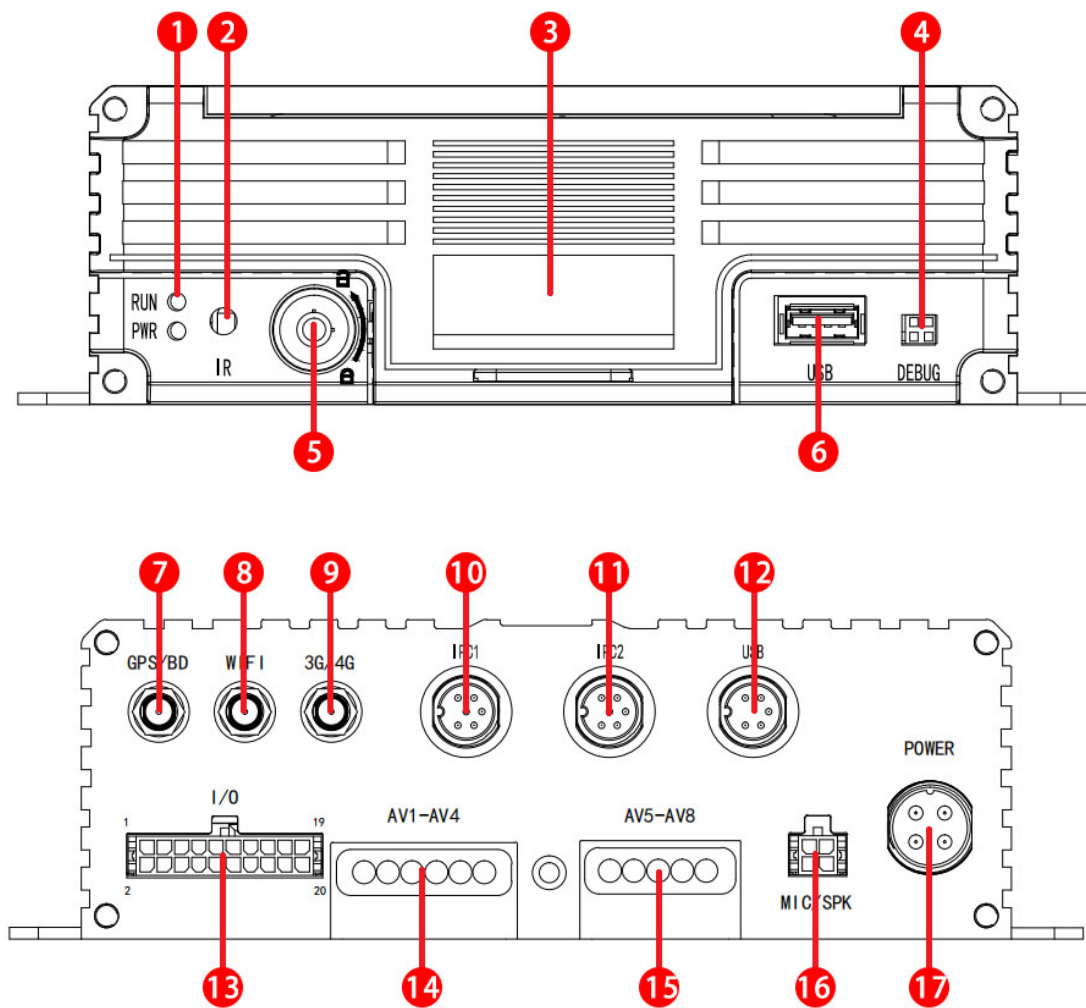
Parameters:

Type	Parameters	Performance indicators
system	system	Embedded Linux operating system
	Language	Chinese/English Etc...
	User interface	Graphical menu operation interface, mouse operation
Audio & Video	Video input	8 CH 1080P AHD/TVI/CVI/CVBS
	Video output	VGA+CVBS
	Audio input	8 CH
	Audio output	1 analog output
	Video formats	PAL/NTSC
	Video compression	H.264/H.265
	Video resolution	1080P/720P/960H/D1/CIF
	Video quality	Grades 1 to 6
Video and playback	Audio formats	G711A G711U G726
	Storage	Proprietary file system
	Video query	Search by channel, video type and alarm type
	Video playback	Local 8CH
Firmware upgrade	Local backup	Supports SD cards and USB drives
	Upgrade mode	Manual upgrade, automatic upgrade, remote upgrade
Physical interface	Upgrade way	USB , SD card, network
	Audio/Video output	8CH M12-4 Aircraft Head Interface
	Audio/Video output	One VGA port and one CVBS port
	Alarm input	8 digital input
	Alarm output	2 outputs
	The speed pulse	1
	RS232	1
	TTL	1
	RS485	1
	CAN	1
	1-wire	1
	MIC/SPKP	4PIN MIC/SPK
LED lights	PWR/RUN	
Storage interface	IPC	2 M12-6Pin Aircraft Head Interface
	Hard disk interface	1 2.5 inch HDD
	SD card interface	1 SD card interface (can be extended to 1 SD)
The wireless interface	HDDLOCK	1
	GNSS	GPS/BD/GLONASS
	Wifi	Optional WIFI module, 2.4GHz
Other	3G/4G	4G Netcom
	The power input	DC: 9 v ~ 36 v

	Storage capacity	1080P 622MB/H/CH H.265
		1080P 1.2G/H/CH H.264
	Typical power consumption	Power consumption: AVG 9W (excluding peripherals) Static power consumption: 12V@3mA
	Power output	5V@500mA

The interface definition

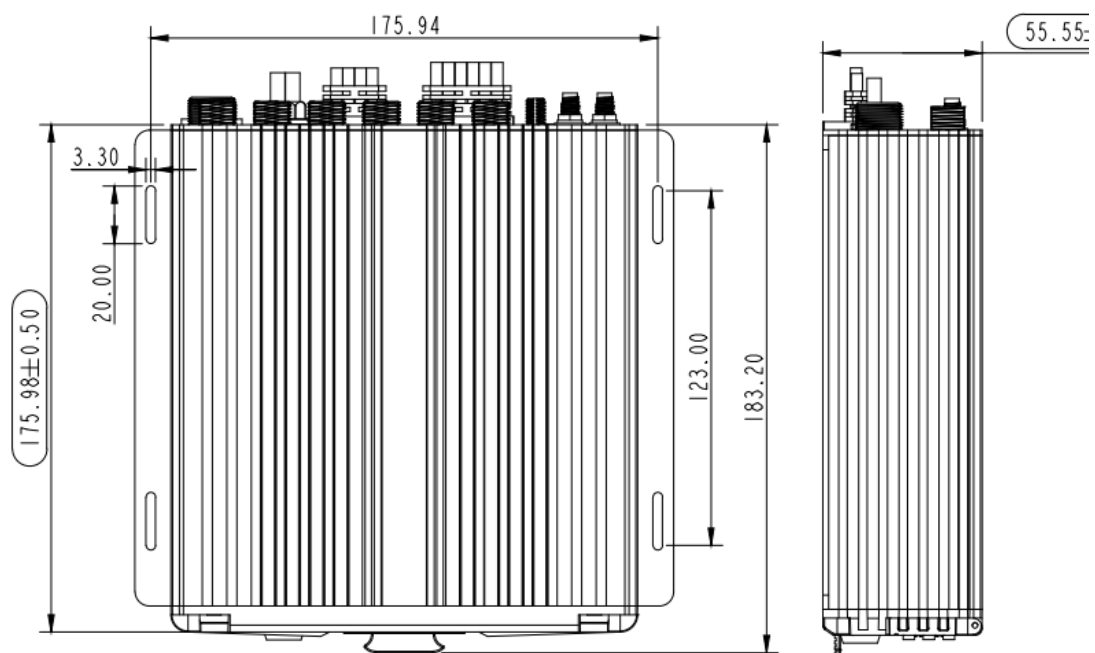
1.0 External interface



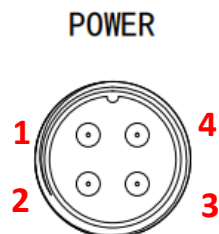
NO.	Definition	NO.	Definition
1	LED lights	9	3G/4G Antenna
2	IR	10	IPC1
3	Front panel	11	IPC2

4	DEBUG	12	USB
5	HDD LOCK	13	I/O interface
6	USB interface	14	AV1-AV4(Contains CVBS output)
7	GPS/BD Antenna	15	AV5-AV8(Contains VGA output)
8	WIFI Antenna	16	MIC/SPK
17	POWER		

1.1 Installation hole



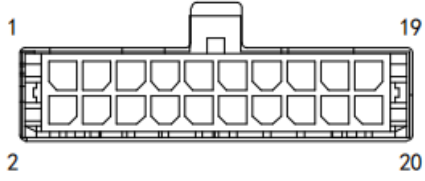
1.2 Power interface



PIN	Definition	PIN	Definition
1	GND	2	ACC

3	PWR	4	NC
---	-----	---	----

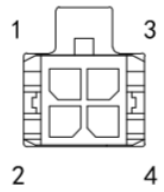
1.3 I/O Interface definition



I/O

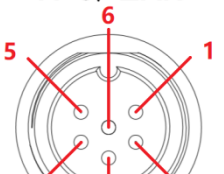
PIN	Line mark	PIN	Line mark
1	5V	2	GND
3	TTL232_RXD	4	RS232_RXD
5	TTL232_TXD	6	RS232_TXD
7	RS485_B-	8	CAN_L
9	RS485_A+	10	CAN_H
11	ALM_IN1	12	ALM_IN2
13	ALM_IN3	14	ALM_IN4
15	ALM_IN5	16	ALM_IN6
17	ALM_IN7	18	ALARM_IN8/OUT2
19	ALARM_IN9/OUT1	20	1-WIRE

1.4 TTS speaker interface definition



No.	Definition
1	SPK +
2	SPK -
3	MIC +
4	MIC -

1.5 IPC Interface definition



No.	Definition
1	TX-
2	TX+
3	VCC

	4	RX-
	5	RX+
	6	GND

1.6 Audio and Video interface definition

